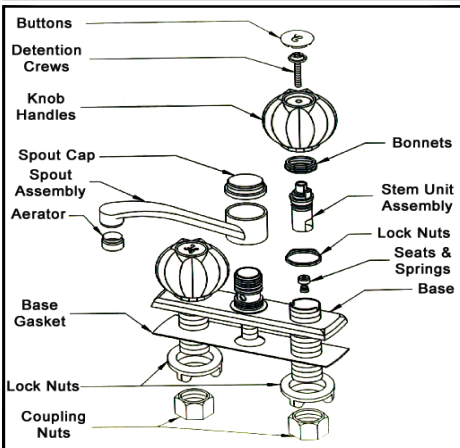
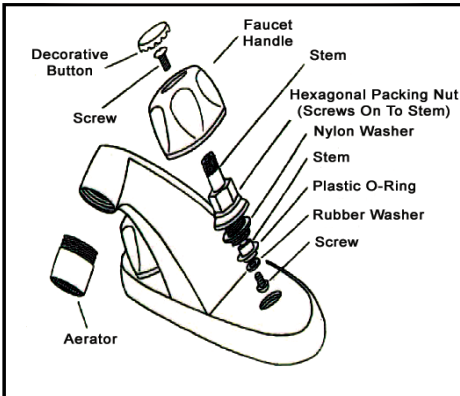
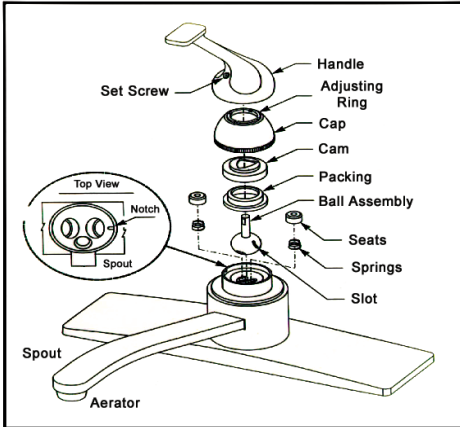


## Does your faucet look like one of these diagrams?

Below are the most common faucet types and the parts referred to on the other side of this brochure. If you have a different type faucet, you may want to get professional advice before starting repairs.

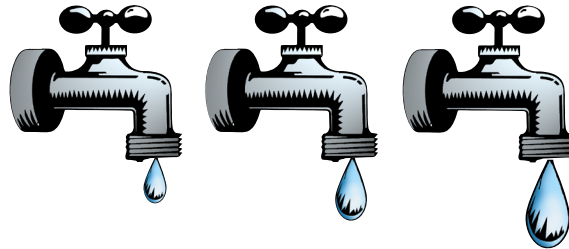


## How Much Water Does Your Leak Waste?

Through A Hole:                      Gallons Per Month Wasted:

1/4"	●	400,000
3/16"	●	225,000
1/8"	●	100,000
1/16"	●	25,000
1/32"	●	6,300

Pressure: 60 lb.



60 Drops/Minute = 192 Gallons/Month      90 Drops/Minute = 288 Gallons/Month      120 Drops/Minute = 384 Gallons/Month

For additional tips on how to save water and money, visit [www.tvwd.org](http://www.tvwd.org) and click on the Conservation and Rebates tab.

## Tualatin Valley Water District



Delivering the Best Water    Service    Value

1850 SW 170th Avenue  
Beaverton, OR 97003  
(503) 848-3000

1/16    [www.tvwd.org](http://www.tvwd.org) \* @TVWaterDistrict

# Even You Can Fix A Leaky Faucet



Tips To Save Water And Money

# Even You Can Fix A Leaky Faucet

Faucet leaks can waste hundreds of gallons of water in a very short time. Be a leak seeker. Faucet leaks are often caused by worn washers or “O” rings (for washerless faucets.) Repairing faucets can be easy. Most of the time, all you have to do is shut off the water supply line to that faucet, replace the washer, and turn the line back on again.

**If your faucet appears to be different than the faucet diagram in this brochure, you may want to get professional advice before you proceed to work on it or call a plumber.**

## Tools you may need:

- Roll of 3/4” masking tape
- 3” standard flathead screwdriver
- 3” Phillips screwdriver
- 8” adjustable Crescent wrench
- Petroleum jelly
- O-rings and/or washers

Purchase of these tools is a good investment. You’ll use them over and over again on household projects.

## Before You Start

Make sure you protect any shiny parts of your faucet with a couple of layers of masking tape so you won’t scratch the finish with your wrench. Uncovered surfaces could get dinged as you work.

**Do not take on faucet repairs unless you feel quite confident in your ability to make these repairs.**

## Where’s The Leak?

If you have a **leak around the handle** when you turn the water on, begin with Steps 1 and 2 (on the next panel). Cover the packing nut with tape and tighten it gently. Never over-tighten this nut. If the leak persists, remove the nut entirely and replace the nylon washer underneath and reassemble the faucet.

To repair a **leaky stem** with an O-ring, begin with Steps 1, 2 and 3, then unscrew the stem from the six-sided packing nut to expose the plastic O-ring. Pinch the O-ring on the stem to get a fingerhold, then pull it off. Replace with an exact match that has been lubricated with a little grease or petroleum jelly and reassemble the faucet.

If you have a **leak from the faucet** itself, you’ll need to follow all five steps (on the next panel) to replace the washer.

**Unsure about the terms for the different faucet parts? Take a look at the diagrams on the other side!**



## Fixing The Leak

**Step 1:** Check whether the faucet is leaking hot or cold water. You may have to fix one handle unit, not both. Shut off the water supply valves under the sink. If you can’t locate them or they won’t shut off, then shut off the master supply to the house. Turn on both faucets to let the water drain.

**Step 2:** If there’s a decorative plastic button on top of the handles, slip the blade of your screwdriver under the edge and twist the screwdriver gently. The button should pop right off. Unscrew the screw underneath and pull or pry the handle off. It may stick due to corrosion caused by the leak.

**Step 3:** Beneath the handle is the stem. Fit your wrench to the large six-sided packing nut and loosen it. It may unscrew either way, so try the opposite way if it doesn’t loosen. Unscrew it with your fingers until the whole stem lifts out of the faucet.

**Step 4:** On the bottom of the stem is a screw holding the rubber washer in place. Unscrew it, put a new washer of the same size in place, and replace the screw.

**Step 5:** Rub a little petroleum jelly on the threads of the stem. Screw the stem back into place, tightening it with your wrench. Put the handle back on and turn the water supply on.